



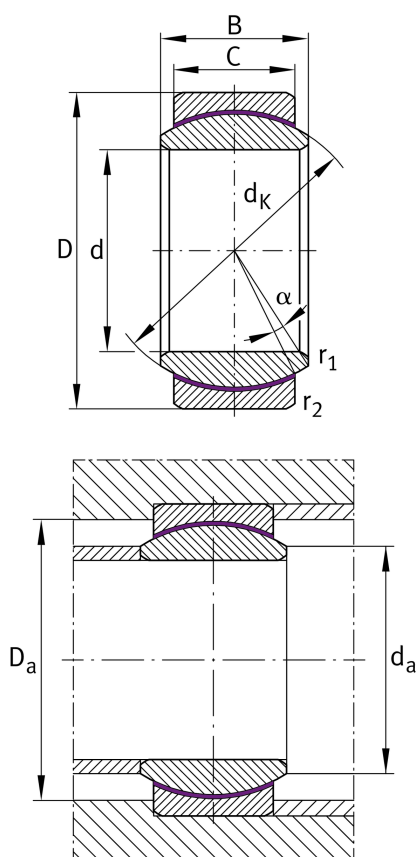
## GE12-UK

### Spherical plain bearing

Schaeffler ID:  
0066497690000

Radial spherical plain bearing, maintenance-free, sliding layer: PTFE composite, inner ring curved surface with hard chromium coating, DIN ISO 12240-1, dimension series E, open design

### Technical information



### Main Dimensions & Performance Data

D	22 mm	Outside diameter bearing
d	12 mm	Bore diameter bearing
B	10 mm	Width Inner ring
C	7 mm	Width Outer ring
C <sub>r</sub>	11,300 N	Basic dynamic load rating, radial
C <sub>0r</sub>	28,400 N	Basic static load rating, radial
	15.66 g	Weight

### Dimensions

d <sub>k</sub>	18 mm	Ball diameter
α	11 °	Tilt angle
G <sub>r</sub>	0 - 0,032 mm	Radial Clearance
d <sub>OT</sub>	0 mm	Bore diameter bearing, upper tolerance
d <sub>UT</sub>	-0.008 mm	Bore diameter bearing, lower tolerance
D <sub>OT</sub>	0 mm	Outside diameter, upper tolerance
D <sub>UT</sub>	-0.009 mm	Outside diameter, lower tolerance
B <sub>OT</sub>	0 mm	Width inner ring, upper tolerance
B <sub>UT</sub>	-0.12 mm	Width inner ring, lower tolerance
C <sub>OT</sub>	0 mm	Width outer ring, upper tolerance

### Mounting dimensions

r <sub>1smin</sub>	0.3 mm	Edge Spacing
r <sub>2smin</sub>	0.3 mm	Edge Spacing
d <sub>a max</sub>	14.9 mm	Connection measure Inner ring
D <sub>a min</sub>	17.5 mm	Housing Connection Diameter

### Temperature range

T <sub>min</sub>	-50 °C	Operating temperature min.
T <sub>max</sub>	200 °C	Operating temperature max.